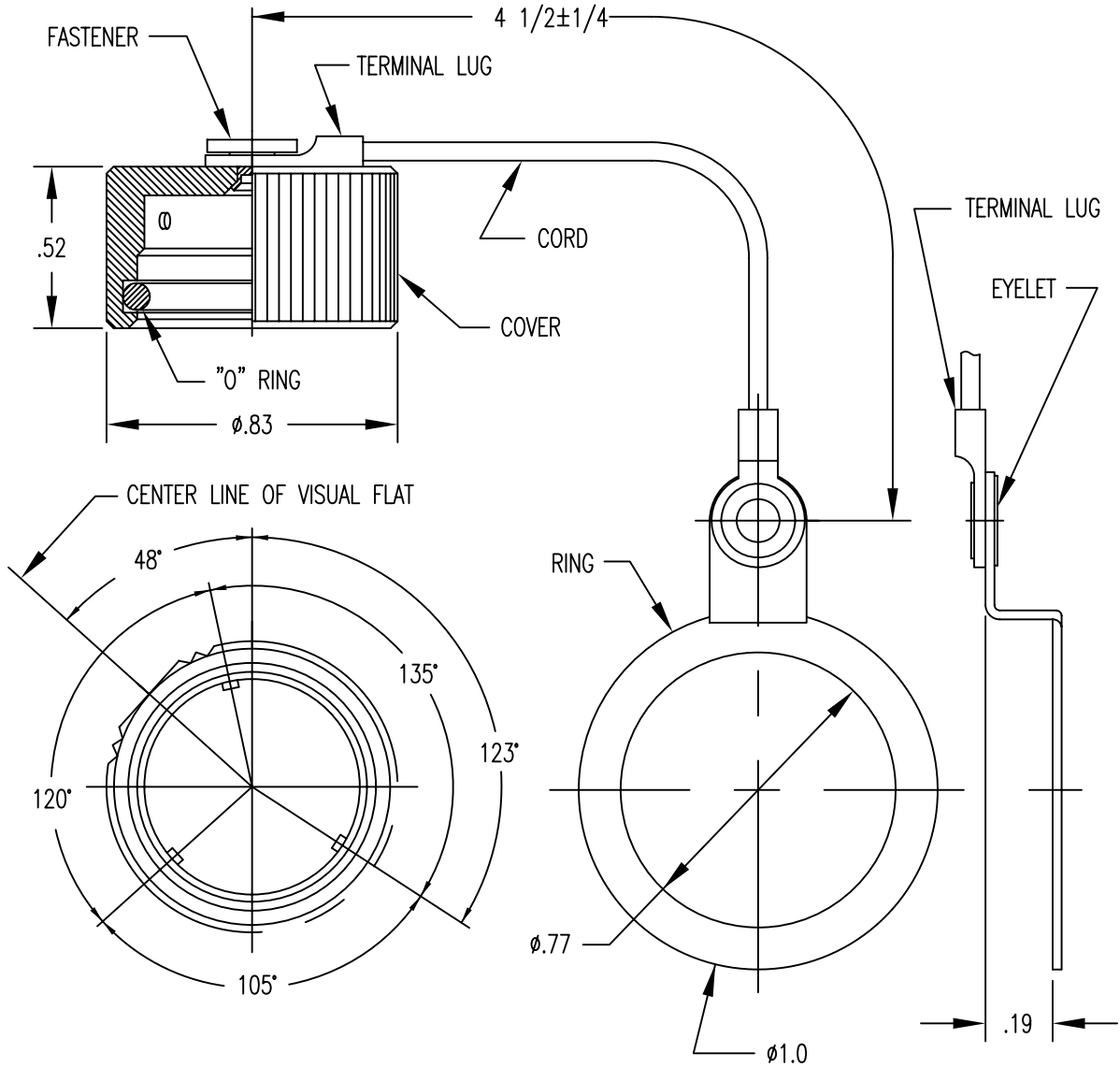


APPLICATIONS		REVISIONS			
NEXT ASSEMBLY	USED ON	REV.	DESCRIPTION	DATE	APPROVED
		A	RELEASED TO SALES	4-7-92	AG



FILE NAME: MC810.dwg

UNLESS OTHERWISE SPECIFIED
DIMENSIONS ARE IN INCHES
TOLERANCES ARE:
FRACTIONS DECIMALS ANGLES
±1/64 .XX ±.01 ±1/2°
.XXX ±.003

THE INFORMATION DISCLOSED IN
THIS DOCUMENT IS CONFIDENTIAL
AND PROPRIETARY TO MIL-CON,
INC. AND MAY NOT BE USED FOR
MANUFACTURE OR ANY OTHER
PURPOSE WITHOUT THE WRITTEN
CONSENT OF MIL-CON, INC.

CONTRACT NO.	
APPROVALS	DATE
DRAWN A. Green	04/07/92
CHECKED	
ISSUED	

MIL-CON™
AN AFFILIATE OF THE PHOENIX COMPANY OF CHICAGO

MC810 DUST CAP

SIZE A	FSCM NO. 63525	DWG. NO. SD: MC810	REV. A
-----------	-------------------	-----------------------	-----------

DO NOT SCALE DRAWING

SCALE NONE SHEET 1 OF 2

SPECIFICATIONS:

- 1) MATERIALS:
COVER AND FASTENER: STAINLESS STEEL
"O" RING: NEOPRENE
CORD: STAINLESS STEEL
TERMINAL LUGS: STAINLESS STEEL
RING: STAINLESS STEEL
EYELET: BRASS

- 2) FINISHES/COLOR:
COVER & FASTENER: SAND BLASTED, PASSIVATED
EYELET: CLEAR CHROMATE OVER CADMIUM

- 3) MC810 DUST CAP MATES WITH:
MC183 – ALL VERSIONS
MC283 – ALL VERSIONS
MC228 – ALL VERSIONS
MC328 – ALL VERSIONS
MC183S– ALL VERSIONS
MC683S– ALL VERSIONS

MIL-CON TM	FILE NAME: MC810.dwg			
	SIZE	FSCM NO.	DWG. NO.	REV.
	A	63525	SD: MC810	A
DRAWN A. Green	SCALE	NONE	SHEET 2	OF 2
ISSUED				