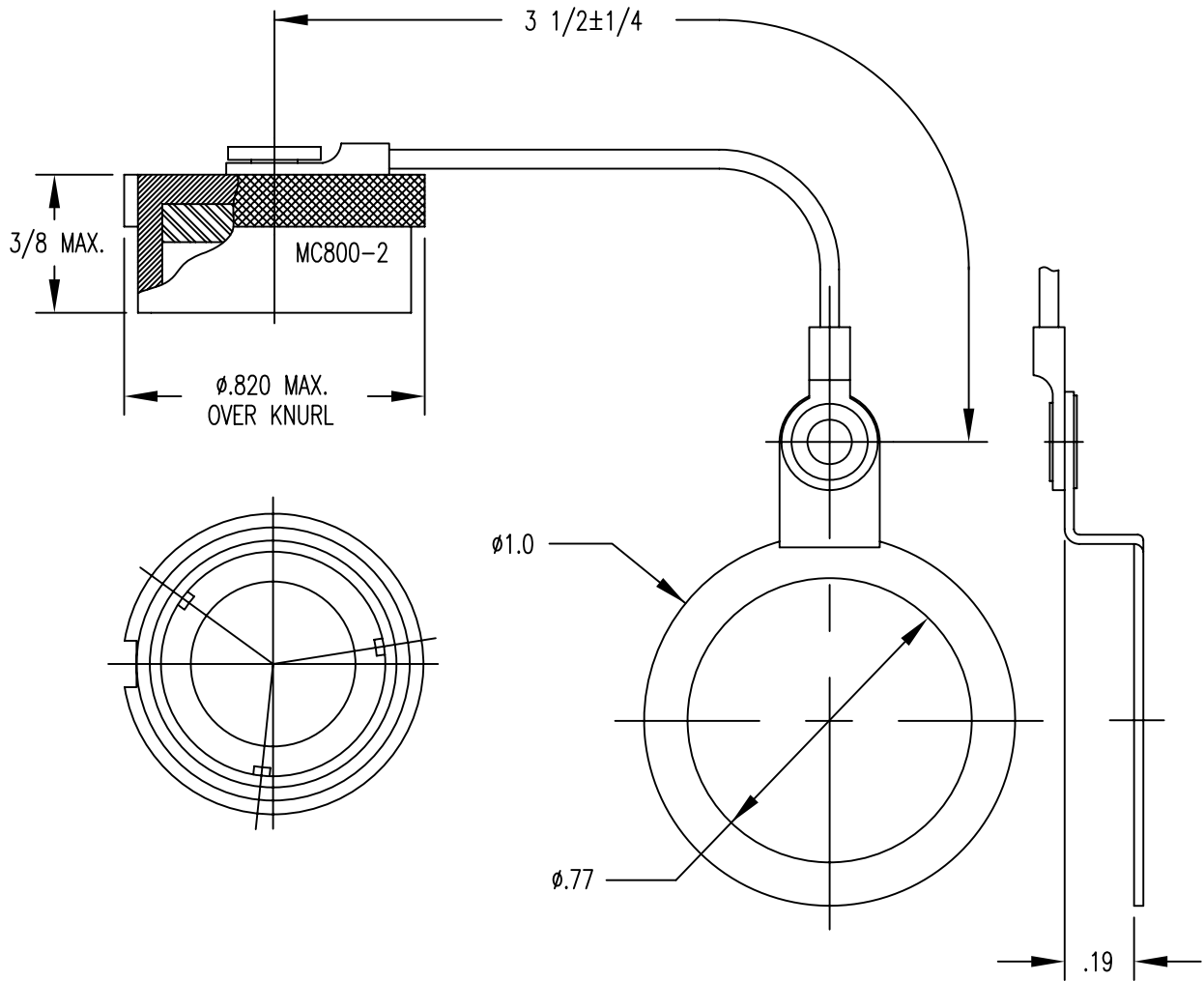


APPLICATIONS		REVISIONS			
NEXT ASSEMBLY	USED ON	REV.	DESCRIPTION	DATE	APPROVED

		-	RELEASED TO SALES	6-19-90	AG
		A	UPDATED REVISION LEVEL; ECO2515	8-2-99	CBV
		B	UPDATED FINISH TYPES; ECO2711	3-21-00	CBV



FILE NAME: MC800-2.dwg

UNLESS OTHERWISE SPECIFIED
DIMENSIONS ARE IN INCHES
TOLERANCES ARE:

FRACTIONS	DECIMALS	ANGLES
$\pm 1/64$.XX $\pm .01$	$\pm 1/2^\circ$
	.XXX $\pm .003$	

CONTRACT NO.	
APPROVALS	DATE
DRAWN A. Green	06/19/90
CHECKED	
ISSUED	

MIL-CON™
AN AFFILIATE OF THE PHOENIX COMPANY OF CHICAGO

MC800-2 DUST CAP

THE INFORMATION DISCLOSED IN
THIS DOCUMENT IS CONFIDENTIAL
AND PROPRIETARY TO MIL-CON,
INC. AND MAY NOT BE USED FOR
MANUFACTURE OR ANY OTHER
PURPOSE WITHOUT THE WRITTEN
CONSENT OF MIL-CON, INC.

SIZE	FSCM NO.	DWG. NO.	REV.
A	63525	SD: MC800-2	B

DO NOT SCALE DRAWING

SCALE NONE SHEET 1 OF 2

SPECIFICATIONS:

1) MATERIALS:

COVER AND FASTENER: ALUMINUM ALLOY
GASKET: SPONGE RUBBER
CORD: NYLON
TERMINAL LUGS: COPPER
RING: STAINLESS STEEL
EYELET: BRASS

2) FINISHES/COLOR:

COVER & FASTENER: OLIVE DRAB OVER CADMIUM[△]_B
CORD: OLIVE DRAB
TERMINAL LUGS: OLIVE DRAB OVER CADMIUM[△]_B
EYELET: CLEAR CHROMATE OVER CADMIUM[△]_B

3) MC800-2 DUST CAP MATES WITH:

MC183 - ALL VERSIONS
MC283 - ALL VERSIONS
MC228 - ALL VERSIONS
MC328 - ALL VERSIONS
MC183S- ALL VERSIONS
MC683S- ALL VERSIONS

MIL-CONTM

FILE NAME: MC800-2.dwg

DRAWN A. Green

SIZE
A

FSCM NO.
63525

DWG. NO.
SD: MC800-2

REV.
B

ISSUED

SCALE NONE

SHEET 2 OF 2