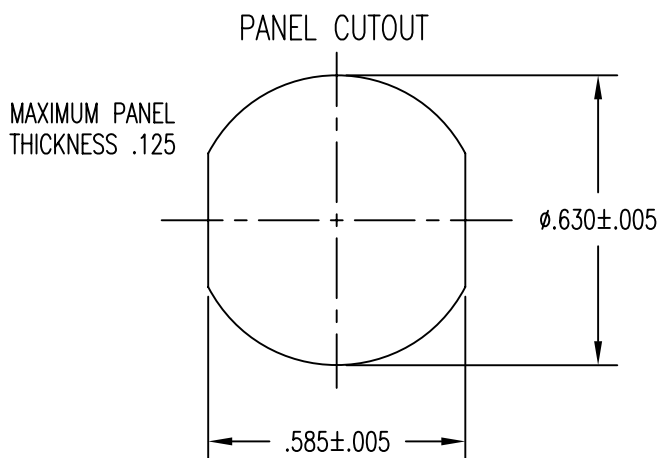
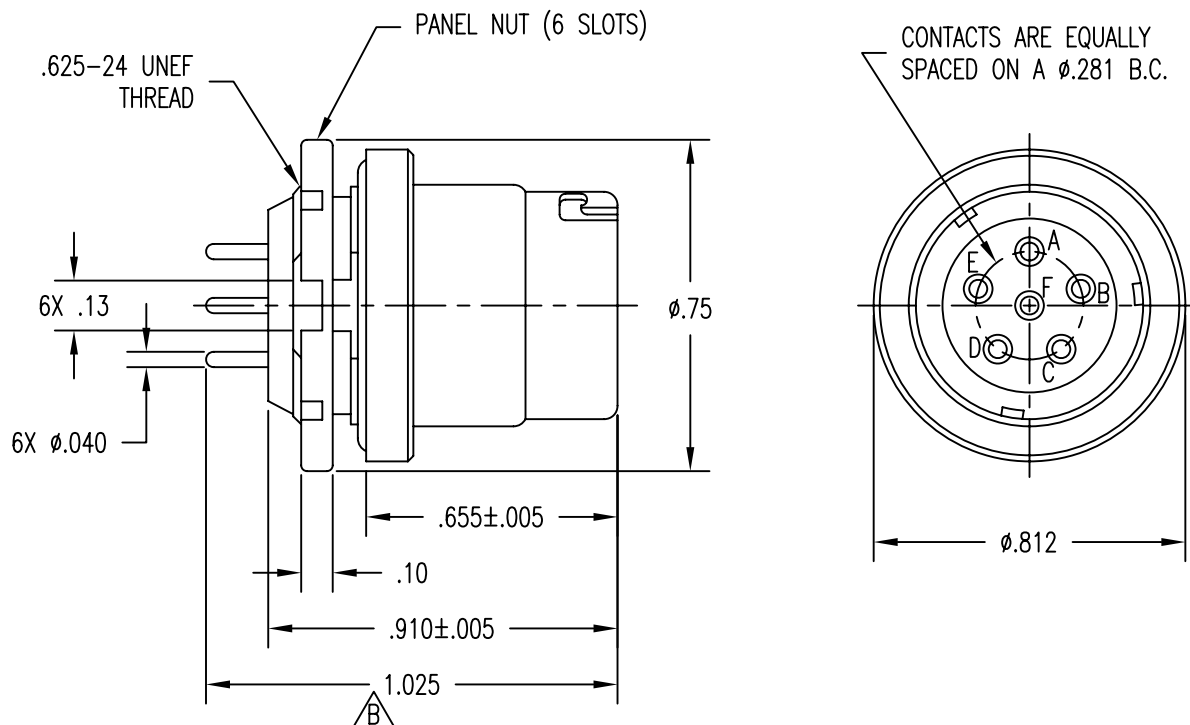


APPLICATIONS		REVISIONS			
NEXT ASSEMBLY	USED ON	REV.	DESCRIPTION	DATE	APPROVED
		A	RELEASED TO SALES	10-06-00	CBV
		B	DELETED NOTE 7; 1.025 WAS 1.020; ECO-05633	11-10-06	CBV



FILE NAME: MC683S-21CN6.dwg

UNLESS OTHERWISE SPECIFIED DIMENSIONS ARE IN INCHES TOLERANCES ARE: FRACTIONS $\pm 1/64$ DECIMALS $\pm .01$ ANGLES $\pm 1/2^\circ$.XX \pm .01 .XXX \pm .003	CONTRACT NO.		MIL-CON™ AN AFFILIATE OF THE PHOENIX COMPANY OF CHICAGO MC683S-21CN6 AUDIO CONNECTOR		
	APPROVALS	DATE			
THE INFORMATION DISCLOSED IN THIS DOCUMENT IS CONFIDENTIAL AND PROPRIETARY TO MIL-CON, INC. AND MAY NOT BE USED FOR MANUFACTURE OR ANY OTHER PURPOSE WITHOUT THE WRITTEN CONSENT OF MIL-CON, INC.	DRAWN C. Velasco	10/06/00	SIZE A	FSCM NO. 63525	DWG. NO. SD: MC683S-21CN6
	CHECKED A. Huezo	11/13/06			REV. B
	ISSUED		SCALE NONE		SHEET 1 OF 2

SPECIFICATIONS:

- 1) MATERIALS:
 SHELL AND PANEL NUT: STAINLESS STEEL
 CONTACTS: COPPER ALLOY
 INSULATOR: DIALLYL PHTHALATE PER MIL-M-14, TYPE MDG
- 2) FINISHES/COLOR:
 SHELL AND PANEL NUT: PASSIVATED, SAND BLASTED
 CONTACTS: .000030 GOLD PER MIL-G-45204, TYPE II,
 CLASS 0; OVER .000100 NICKEL PER QQ-N-290
 INSULATOR: BLUE
- 3) ELECTRICAL PROPERTIES:
 OPERATING VOLTAGE: 60 VOLTS MAXIMUM POTENTIAL
 CURRENT RATING: 0.5 AMPS MAXIMUM
 DIELECTRIC BREAKDOWN: 500 VOLTS RMS
 INSULATION RESISTANCE: 1000 MEGOHMS MINIMUM
 CONTACT RESISTANCE (MATED): 0.04 OHMS MAXIMUM
- 4) MECHANICAL PROPERTIES:
 AIR PRESSURE: 2.5 P.S.I.
 WATER IMMERSION: 48 HOURS AT 6 FEET
 DURABILITY: 3000 CYCLES, MATE AND UNMATE
- 5) MC683S-21CN6 RECEPTACLE MATES WITH:
 MC617 - ALL VERSIONS
 MC329 - ALL VERSIONS
- 6) DIMENSIONS ARE FOR REFERENCE ONLY, UNLESS OTHERWISE SPECIFIED

MIL-CON TM	FILE NAME: MC683S-21CN6.dwg			
	SIZE A	FSCM NO. 63525	DWG. NO.	REV. B
	DRAWN C. Velasco	SD: MC683S-21CN6		
ISSUED	SCALE NONE		SHEET 2 OF 2	