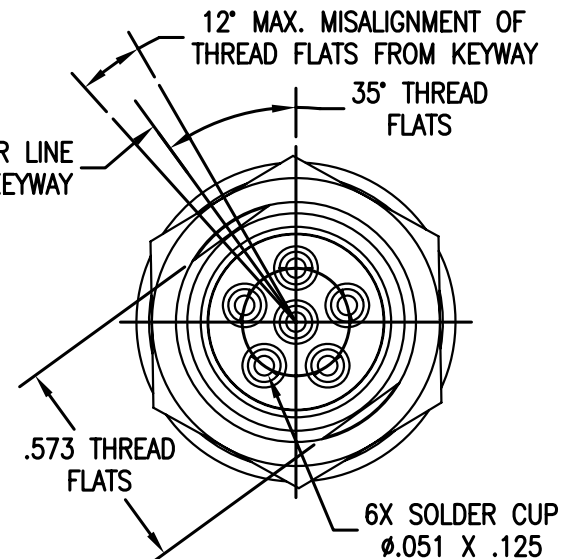
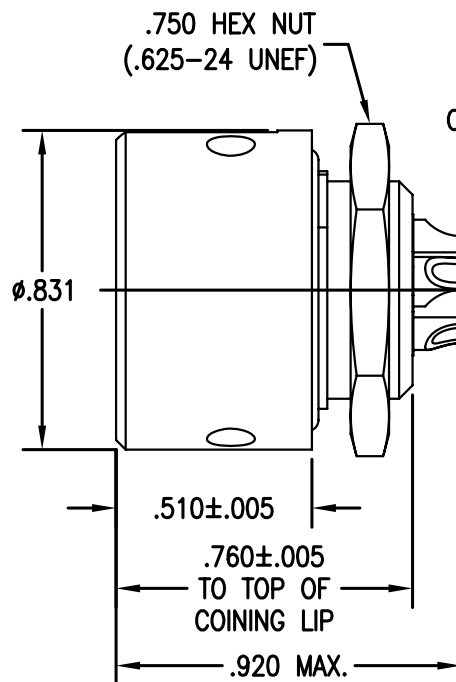
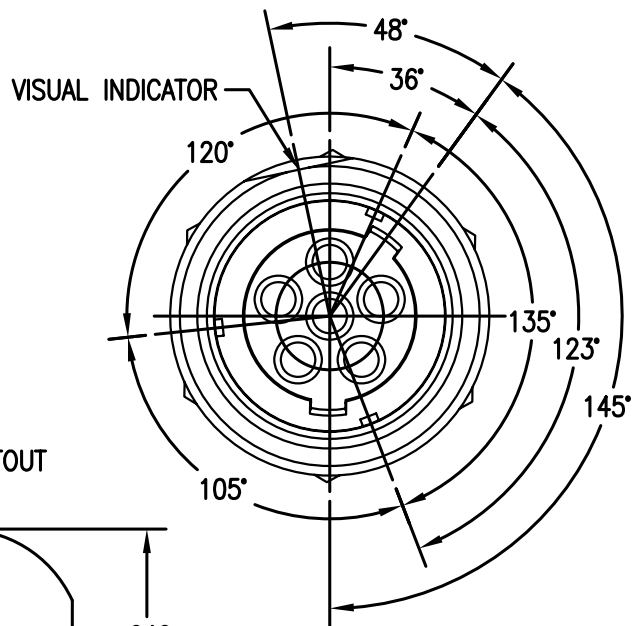
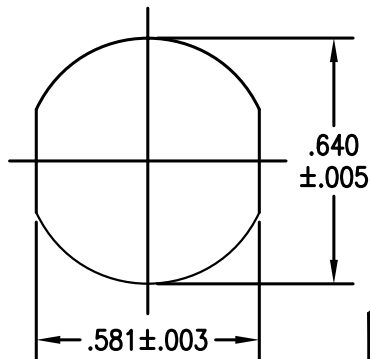


REVISIONS

REV.	DESCRIPTION	DATE	APPROVED



PANEL CUTOUT



MAXIMUM PANEL THICKNESS .125

F/N: MC529.dwg

QTY REQD	FSCM NO.	PART OR IDENTIFYING NO.	NOMENCLATURE OR DESCRIPTION	MATERIAL SPECIFICATION	ITEM									
PARTS LIST														
<p>UNLESS OTHERWISE SPECIFIED DIMENSIONS ARE IN INCHES TOLERANCES ARE:</p> <table border="1"> <tr> <td>FRACTIONS</td> <td>DECIMALS</td> <td>ANGLES</td> </tr> <tr> <td>±1/64</td> <td>.XX ±.01</td> <td>±1/2°</td> </tr> <tr> <td></td> <td>.XXX ±.003</td> <td></td> </tr> </table>		FRACTIONS	DECIMALS	ANGLES	±1/64	.XX ±.01	±1/2°		.XXX ±.003		<p>CONTRACT NO.</p>	<p>MIL-CON™ AN AFFILIATE OF THE PHOENIX COMPANY OF CHICAGO</p>		
FRACTIONS	DECIMALS	ANGLES												
±1/64	.XX ±.01	±1/2°												
	.XXX ±.003													
<p>THE INFORMATION DISCLOSED IN THIS DOCUMENT IS CONFIDENTIAL AND PROPRIETARY TO MIL-CON INC. AND MAY NOT BE USED FOR MANUFACTURE OR ANY OTHER PURPOSE WITHOUT THE WRITTEN CONSENT OF MIL-CON INC.</p>		<p>APPROVALS</p> <p>DRAWN: A. Green</p> <p>CHECKED: A. Huezo</p> <p>ISSUED:</p>	<p>DATE</p> <p>8/20/1992</p> <p>6/9/2003</p>	<p>MC529 AUDIO CONNECTOR</p>										
<p>NEXT ASSEMBLY</p>		<p>USED ON</p>		<p>SIZE: FSCM NO.</p> <p>A 63525</p>	<p>DWG. NO.</p> <p>SD: MC529</p>									
<p>APPLICATIONS</p>		<p>DO NOT SCALE DRAWING</p>		<p>SCALE NONE</p>	<p>SHEET 1 OF 2</p>									

REV.

SPECIFICATIONS:

1) MATERIALS:

SHELL & HEX NUT: STAINLESS STEEL.
CONTACTS: COPPER ALLOY.
INSULATOR: DIALLYL PHTHALATE PER
MIL-M-14, TYPE MDG.

2) FINISHES/COLOR:

SHELL & HEX NUT: PASSIVATED, SAND
BLASTED.
CONTACTS: .000030 GOLD PER
MIL-G-45204, TYPE I,
CLASS 0, OVER .000100
NICKEL PER QQ-N-290.
INSULATOR: BLUE.

3) ELECTRICAL PROPERTIES

OPERATING VOLTAGE: 60 VOLTS MAX. POTENTIAL.
CURRENT RATING: 0.5 AMPS MAX.
DIELECTRIC BREAKDOWN: 500 VOLTS RMS.
INSULATION RESISTANCE: 1000 MEGOHMS MIN.
CONTACT RESISTANCE (MATED): 0.04 OHMS MAX.

4) MECHANICAL PROPERTIES:

AIR PRESSURE: 2.5 P.S.I.
WATER IMMERSION: 48 HOURS AT 6 FEET.
DURABILITY: 3000 CYCLES, MATE AND UNMATE.
OPERATING TEMPERATURE: -55°C TO +85°C.

5) MC529 MATES WITH:

MC283 - ALL VERSIONS.
MC283F - ALL VERSIONS.
MC283R - ALL VERSIONS.
MC328 - ALL VERSIONS.
MC683S - ALL VERSIONS.

6) UNLESS OTHERWISE SPECIFIED, DIMENSIONS
SHOWN ARE FOR REFERENCE ONLY.

7) CONNECTOR MEETS ALL REQUIREMENTS OF
MIL-C-55116, LATEST REVISION.

MIL-CON™

DRAWN A. Green

ISSUED

FILE NAME: MC529.dwg

SIZE

A

FSCM NO.

63525

DWG. NO.

SD: MC529

REV.

SCALE NONE

SHEET 2 OF 2