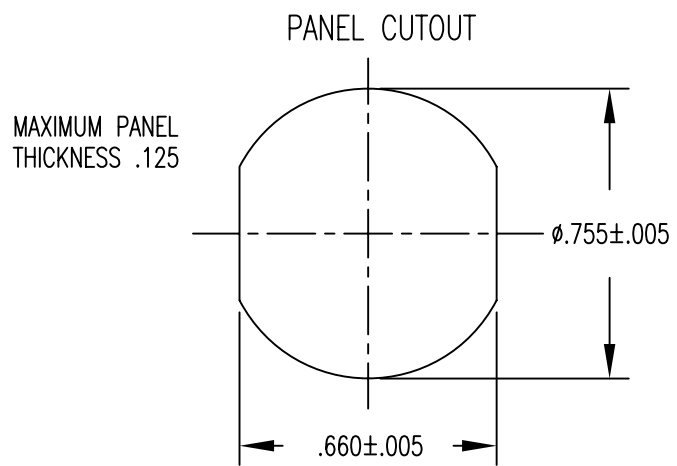
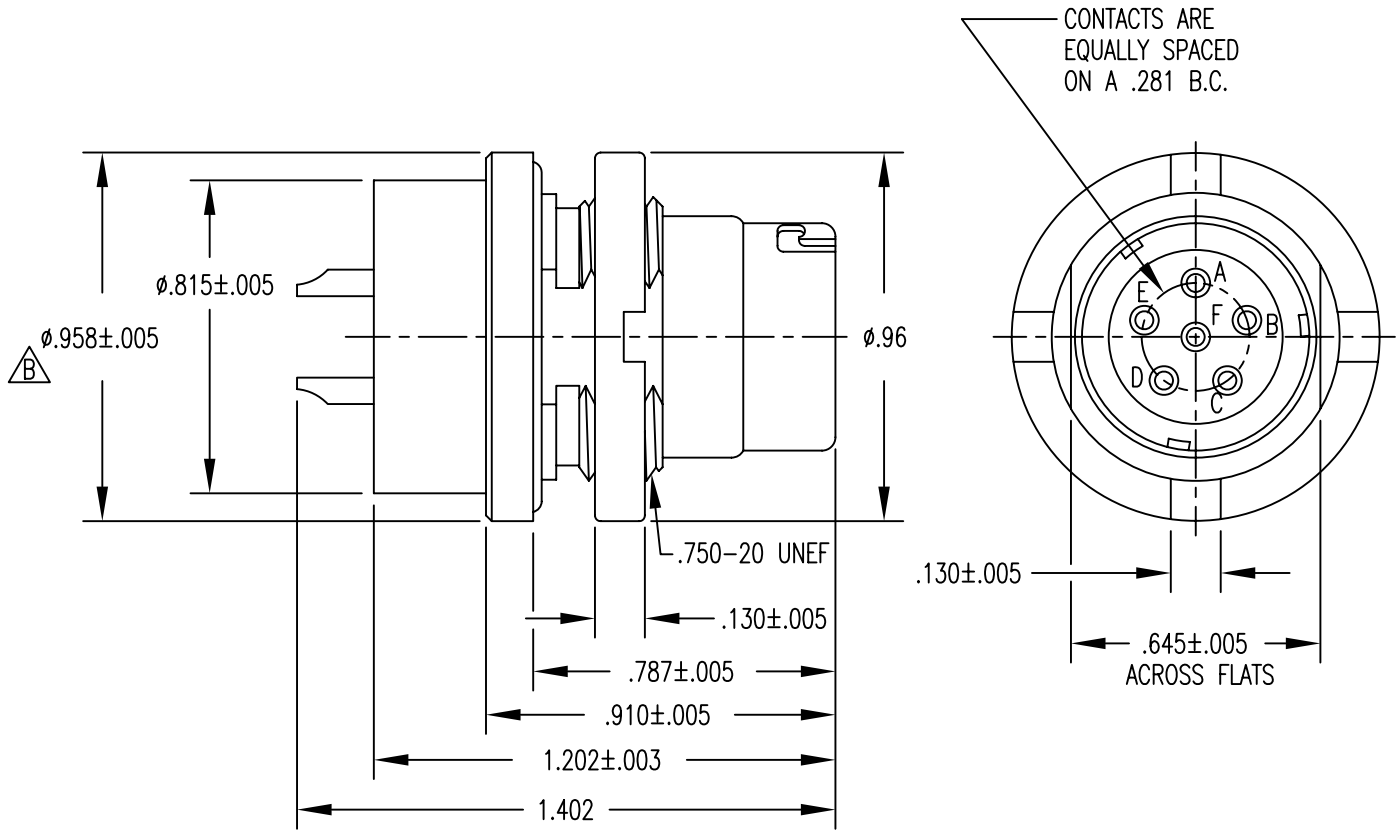


APPLICATIONS		REVISIONS			
NEXT ASSEMBLY	USED ON	REV.	DESCRIPTION	DATE	APPROVED
		A	RELEASED TO SALES & PRODUCTION	11-27-02	AH
		B	DELETED NOTE 7; RENUMBERED NOTES; Ø.958±.005 WAS Ø.960±.003; ECO-05633	11-10-06	CBV



FILE NAME: MC283F-3-025.dwg

UNLESS OTHERWISE SPECIFIED DIMENSIONS ARE IN INCHES TOLERANCES ARE: FRACTIONS DECIMALS ANGLES $\pm 1/64$ .XX $\pm .01$ $\pm 1/2^\circ$ .XXX $\pm .003$	CONTRACT NO.		<b>MIL-CON™</b> AN AFFILIATE OF THE PHOENIX COMPANY OF CHICAGO		
	APPROVALS				
THE INFORMATION DISCLOSED IN THIS DOCUMENT IS CONFIDENTIAL AND PROPRIETARY TO MIL-CON, INC. AND MAY NOT BE USED FOR MANUFACTURE OR ANY OTHER PURPOSE WITHOUT THE WRITTEN CONSENT OF MIL-CON, INC.	DRAWN A. Huevo		11/27/02		MC283F-3-025 FILTERED AUDIO CONNECTOR
	CHECKED A. Huevo		11/13/06		
	ISSUED				
DO NOT SCALE DRAWING	SIZE A	FSCM NO. 63525	DWG. NO. SD: MC283F-3-025	REV. B	SCALE NONE
			SHEET 1 OF 2		

SPECIFICATIONS:

- 1) MATERIALS:  
 SHELL AND PANEL NUT: STAINLESS STEEL  
 CONTACTS: COPPER ALLOY  
 INSULATOR: DIALLYL PHTHALATE PER MIL-M-14, TYPE MDG
- 2) FINISHES/COLOR:  
 SHELL AND PANEL NUT: PASSIVATED, SAND BLASTED  
 CONTACTS: .000030 GOLD PER MIL-G-45204, TYPE I,  
 CLASS 0; OVER .000100 NICKEL PER QQ-N-290  
 INSULATOR: BLUE
- 3) ELECTRICAL PROPERTIES:  
 OPERATING VOLTAGE: 60 VOLTS MAXIMUM POTENTIAL  
 CURRENT RATING: 0.5 AMPS MAXIMUM  
 DIELECTRIC BREAKDOWN: 500 VOLTS RMS  
 INSULATION RESISTANCE: 1000 MEGOHMS MINIMUM  
 CONTACT RESISTANCE (MATED): 0.04 OHMS MAXIMUM
- 4) MECHANICAL PROPERTIES:  
 AIR PRESSURE: 2.5 P.S.I.  
 WATER IMMERSION: 48 HOURS AT 6 FEET  
 DURABILITY: 1500 CYCLES, MATE AND UNMATE
- 5) MC283F-3-025 RECEPTACLE MATES WITH:  
 MC617 - ALL VERSIONS  
 MC329 - ALL VERSIONS
- 6) DIMENSIONS ARE FOR REFERENCE ONLY, UNLESS OTHERWISE SPECIFIED
- B 7) FILTER SPECIFICATIONS:  
 CAPACITANCE (1 KHz,25°C): 3000 Pf MAXIMUM  
 INSERTION LOSS (MIL-STD-220,NO LOAD,25°C):  
     30 Db. MIN. AT 100 MHz TO 250 MHz  
     50 Db. MIN. AT 250 MHz TO 1GHz  
 WORKING VOLTAGE: 50 VDC  
 DIELECTRIC VOLTAGE BREAKDOWN: 150 VDC  
 INSULATION RESISTANCE (150 VDC,25°C): 1000 MEGOHMS MINIMUM  
 RF CURRENT: .25 AMPS MAXIMUM
- B 8) ALL PINS FILTERED

<b>MIL-CON</b> <sup>TM</sup>	FILE NAME: MC283F-3-025.dwg			
	SIZE <b>A</b>	FSCM NO. <b>63525</b>	DWG. NO. SD: MC283F-3-025	REV. <b>B</b>
	DRAWN A. Huevo	SCALE NONE	SHEET 2 OF 2	
ISSUED				