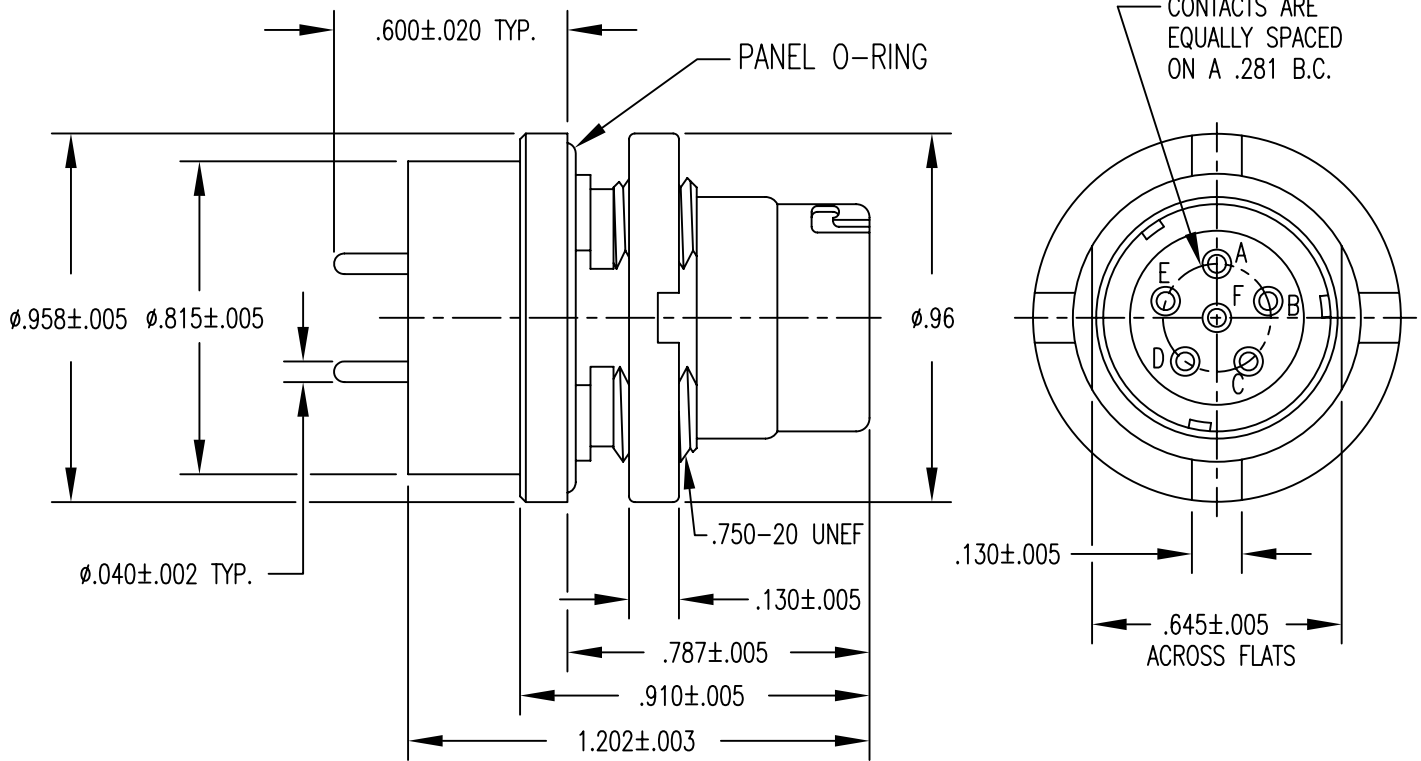
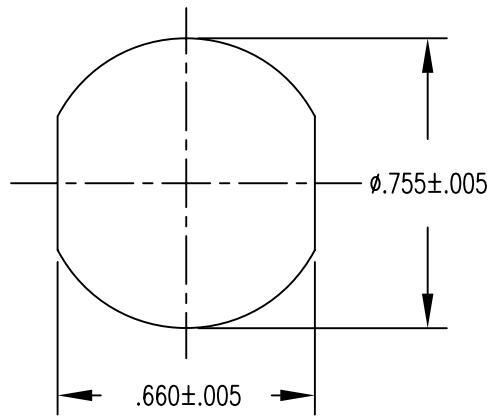


APPLICATIONS		REVISIONS			
NEXT ASSEMBLY	USED ON	REV.	DESCRIPTION	DATE	APPROVED

		A	RELEASED TO SALES	2-8-95	AG
		C	UPDATED; ECO2466	6-28-99	CBV
		D	DELETED NOTE 7; RENUMBERED NOTES; ECO-05633	11-10-06	CBV



PANEL CUTOUT



FILE NAME: MC283F-3-025-5.dwg

UNLESS OTHERWISE SPECIFIED
DIMENSIONS ARE IN INCHES
TOLERANCES ARE:
FRACTIONS DECIMALS ANGLES
±1/64 .XX ±.01 ±1/2°
.XXX ±.003

CONTRACT NO.	
APPROVALS	DATE

MIL-CON™

AN AFFILIATE OF THE PHOENIX COMPANY OF CHICAGO

MC283F-3-025-3 AUDIO CONNECTOR

THE INFORMATION DISCLOSED IN
THIS DOCUMENT IS CONFIDENTIAL
AND PROPRIETARY TO MIL-CON,
INC. AND MAY NOT BE USED FOR
MANUFACTURE OR ANY OTHER
PURPOSE WITHOUT THE WRITTEN
CONSENT OF MIL-CON, INC.

DRAWN	A. Green	02/08/95
CHECKED	A. Huevo	11/13/06
ISSUED		

SIZE	FSCM NO.	DWG. NO.	REV.
A	63525	SD: MC283F-3-025-5	D

DO NOT SCALE DRAWING

SCALE	NONE	SHEET	1	OF	2
-------	------	-------	---	----	---

SPECIFICATIONS:

- 1) MATERIALS:
 SHELL AND PANEL NUT: STAINLESS STEEL
 CONTACTS: BRASS, TEMPER HALF HARD
 INSULATOR: DIALLYL PHTHALATE PER MIL-M-14, TYPE MDG
 PANEL O-RING: CONDUCTIVE RUBBER
- 2) FINISHES/COLOR:
 SHELL AND PANEL NUT: PASSIVATED, SAND BLASTED
 CONTACTS: .000030 GOLD PER MIL-G-45204, TYPE I,
 CLASS 0; OVER .000100 NICKEL PER QQ-N-290
 INSULATOR: BLUE
- 3) ELECTRICAL PROPERTIES:
 OPERATING VOLTAGE: 60 VOLTS MAXIMUM POTENTIAL
 CURRENT RATING: 0.5 AMPS MAXIMUM
 DIELECTRIC BREAKDOWN: 500 VOLTS RMS
 INSULATION RESISTANCE: 1000 MEGOHMS MINIMUM
 CONTACT RESISTANCE (MATED): 0.04 OHMS MAXIMUM
- 4) MECHANICAL PROPERTIES:
 AIR PRESSURE: 2.5 P.S.I.
 WATER IMMERSION: 48 HOURS AT 6 FEET
 DURABILITY: 3000 CYCLES, MATE AND UNMATE
- 5) MC283F-3-025-5 RECEPTACLE MATES WITH:
 MC617 - ALL VERSIONS
 MC329 - ALL VERSIONS
- 6) DIMENSIONS ARE FOR REFERENCE ONLY, UNLESS OTHERWISE SPECIFIED
- △ 7) FILTER SPECIFICATIONS:
 CAPACITANCE (1 KHz,25°C): 3000 pF MAXIMUM
 INSERTION LOSS (MIL-STD-220,NO LOAD,25°C):
 30 Db. MIN. AT 100 MHz TO 250 MHz
 50 Db. MIN. AT 250 MHz TO 1GHz
 WORKING VOLTAGE: 50 VDC
 DIELECTRIC VOLTAGE BREAKDOWN: 150 VDC
 INSULATION RESISTANCE (150 VDC,25°C): 1000 MEGOHMS MINIMUM
 RF CURRENT: .25 AMPS MAXIMUM
- △ 8) ALL PINS FILTERED

MIL-CON TM	FILE NAME: MC283F-3-025-5.dwg			
	SIZE A	FSCM NO. 63525	DWG. NO. SD: MC283F-3-025-5	REV. D
	DRAWN A. Green	SCALE NONE	SHEET 2	OF 2
ISSUED				