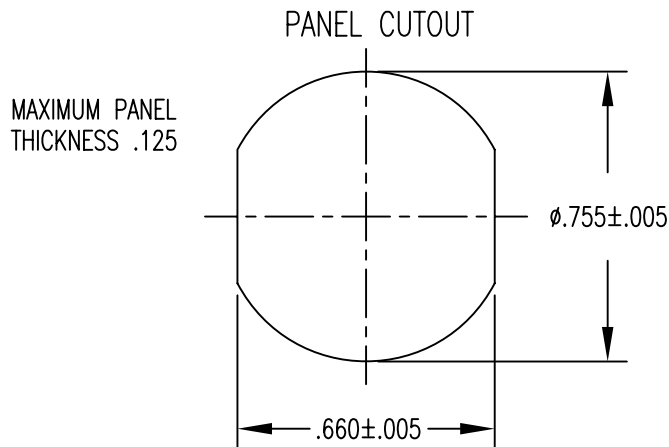
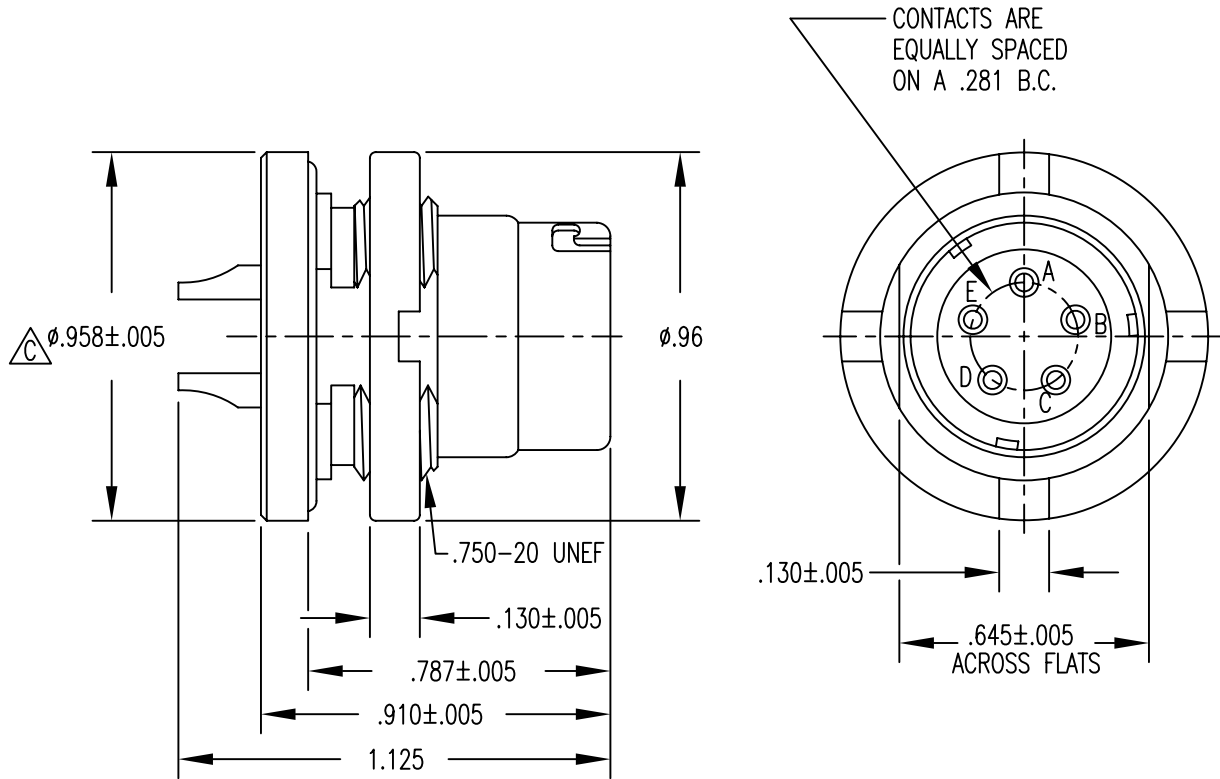


APPLICATIONS		REVISIONS			
NEXT ASSEMBLY	USED ON	REV.	DESCRIPTION	DATE	APPROVED

		A	RELEASED TO SALES	07-30-90	AG
		B	REVISED	11-30-90	AG
		C	DELETED NOTE 7; $\phi.958\pm.005$ WAS $\phi.960\pm.003$; ECO-05633	11-10-06	CBV



FILE NAME: MC183.dwg

UNLESS OTHERWISE SPECIFIED
DIMENSIONS ARE IN INCHES
TOLERANCES ARE:

FRACTIONS	DECIMALS	ANGLES
$\pm 1/64$.XX $\pm .01$	$\pm 1/2^\circ$
	.XXX $\pm .003$	

CONTRACT NO.	
APPROVALS	DATE
DRAWN A. Green	07/30/90
CHECKED A. Huezio	11/13/06
ISSUED	

MIL-CON™

AN AFFILIATE OF THE PHOENIX COMPANY OF CHICAGO

MC183 AUDIO CONNECTOR

THE INFORMATION DISCLOSED IN
THIS DOCUMENT IS CONFIDENTIAL
AND PROPRIETARY TO MIL-CON,
INC. AND MAY NOT BE USED FOR
MANUFACTURE OR ANY OTHER
PURPOSE WITHOUT THE WRITTEN
CONSENT OF MIL-CON, INC.

SIZE	FSCM NO.	DWG. NO.	REV.
A	63525	SD: MC183	C

DO NOT SCALE DRAWING

SCALE NONE

SHEET 1 OF 2

SPECIFICATIONS:

- 1) MATERIALS:
SHELL AND PANEL NUT: STAINLESS STEEL
CONTACTS: COPPER ALLOY
INSULATOR: DIALLYL PHTHALATE PER MIL-M-14, TYPE MDG
- 2) FINISHES/COLOR:
SHELL AND PANEL NUT: PASSIVATED, SAND BLASTED
CONTACTS: .000030 GOLD PER MIL-G-45204, TYPE II,
CLASS 0; OVER .000100 NICKEL PER QQ-N-290
INSULATOR: BLUE
- 3) ELECTRICAL PROPERTIES:
OPERATING VOLTAGE: 60 VOLTS MAXIMUM POTENTIAL
CURRENT RATING: 0.5 AMPS MAXIMUM
DIELECTRIC BREAKDOWN: 500 VOLTS RMS
INSULATION RESISTANCE: 1000 MEGOHMS MINIMUM
CONTACT RESISTANCE (MATED): 0.04 OHMS MAXIMUM
- 4) MECHANICAL PROPERTIES:
AIR PRESSURE: 2.5 P.S.I.
WATER IMMERSION: 48 HOURS AT 6 FEET
DURABILITY: 3000 CYCLES, MATE AND UNMATE
- 5) MC183 RECEPTACLE MATES WITH:
MC217 - ALL VERSIONS
MC229 - ALL VERSIONS
- 6) DIMENSIONS ARE FOR REFERENCE ONLY, UNLESS OTHERWISE SPECIFIED

MIL-CON TM	FILE NAME: MC183.dwg			
	SIZE	FSCM NO.	DWG. NO.	REV.
	A	63525	SD: MC183	C
DRAWN A. Green	SCALE	NONE	SHEET 2	OF 2
ISSUED				