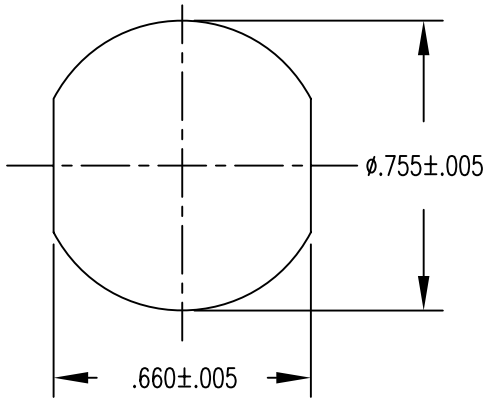


PANEL CUTOUT

MAXIMUM PANEL THICKNESS .125



FILE NAME: MC183-9.dwg

<small>UNLESS OTHERWISE SPECIFIED DIMENSIONS ARE IN INCHES TOLERANCES ARE:</small> <small>FRACTIONS DECIMALS ANGLES</small> <small>$\pm 1/64$ $.XX \pm .01$ $\pm 1/2^\circ$</small> <small> $.XXX \pm .003$</small>	CONTRACT NO.		MIL-CON™ <small>AN AFFILIATE OF THE PHOENIX COMPANY OF CHICAGO</small>		
	APPROVALS	DATE	MC183-9 AUDIO CONNECTOR		
<small>THE INFORMATION DISCLOSED IN THIS DOCUMENT IS CONFIDENTIAL AND PROPRIETARY TO MIL-CON, INC. AND MAY NOT BE USED FOR MANUFACTURE OR ANY OTHER PURPOSE WITHOUT THE WRITTEN CONSENT OF MIL-CON, INC.</small>	DRAWN	A. Green	09/12/90	SIZE	FSCM NO.
	CHECKED	A. Huevo	11/13/06	A	63525
	ISSUED			DWG. NO.	REV.
DO NOT SCALE DRAWING			SCALE NONE	SD: MC183-9	SHEET 1 OF 2

SPECIFICATIONS:

- 1) MATERIALS:
SHELL AND PANEL NUT: STAINLESS STEEL
CONTACTS: COPPER ALLOY
INSULATOR: DIALLYL PHTHALATE PER MIL-M-14, TYPE MDG
- 2) FINISHES/COLOR:
SHELL AND PANEL NUT: PASSIVATED, SAND BLASTED
CONTACTS: .000030 GOLD PER MIL-G-45204, TYPE II,
CLASS 0; OVER .000100 NICKEL PER QQ-N-290
INSULATOR: BLUE
- 3) ELECTRICAL PROPERTIES:
OPERATING VOLTAGE: 60 VOLTS MAXIMUM POTENTIAL
CURRENT RATING: 0.5 AMPS MAXIMUM
DIELECTRIC BREAKDOWN: 500 VOLTS RMS
INSULATION RESISTANCE: 1000 MEGOHMS MINIMUM
CONTACT RESISTANCE (MATED): 0.04 OHMS MAXIMUM
- 4) MECHANICAL PROPERTIES:
AIR PRESSURE: 2.5 P.S.I.
WATER IMMERSION: 48 HOURS AT 6 FEET
DURABILITY: 3000 CYCLES, MATE AND UNMATE
- 5) MC183-9 RECEPTACLE MATES WITH:
MC217 - ALL VERSIONS
MC229 - ALL VERSIONS
- 6) DIMENSIONS ARE FOR REFERENCE ONLY, UNLESS OTHERWISE SPECIFIED

MIL-CON TM	FILE NAME: MC183-9.dwg			
	SIZE A	FSCM NO. 63525	DWG. NO. SD: MC183-9	REV. B
	DRAWN A. Green	SCALE NONE	SHEET 2	OF 2
ISSUED				